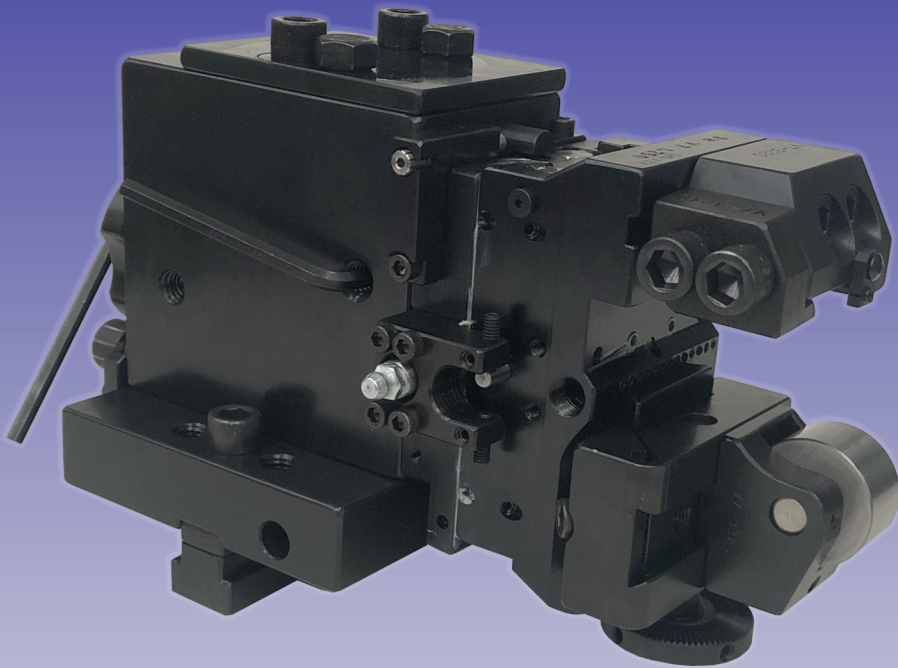




New Market Products, LLC

9671 Back Street Dundee, NY 14837
Phone: 800-238-2240 Fax: 607-292-6858

V7 Shave Holder



- Universal base for upcut and downcut
- Diameter Adjustment in .00025" increments
- Built in coolant ports
- Laterally adjustable roll block to reduce the need for special rolls on tools.
- Unlimited roll positions
- Special roll blocks designed
- Adjustable float tension
- Grease lubricated ways with an internal Grease Piston for constant lubrication
- Easily accessible float and over travel adjustment
- Adjustable float tension
- Precision Taper Adjustment in line with the cutting zone so taper adjustment does not affect side position of the tool

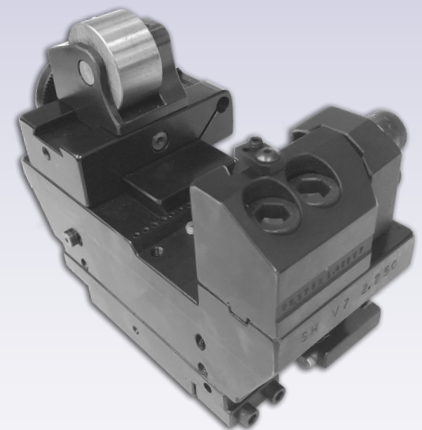
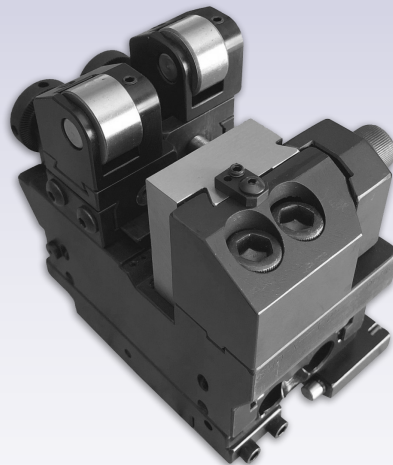


QUICK CHANGE PRESETTABLE HEADS ARE NOW AVAILABLE WITH DOUBLE OR SINGLE ROLLER OPTION.

Double Roller Option Features are the same as above, but also include:

- Independent Laterally adjustable roll blocks
- Independent Diameter Adjustment

The double roller option allows for precision shaving over a wider area on softer materials including multiple diameters.



Our V7 Shave Holder offers more features than any other shave holder on the market. We are so confident in our holder's ability to eliminate chatter, we will offer you a **30 Day Guaranteed Trial Offer.**